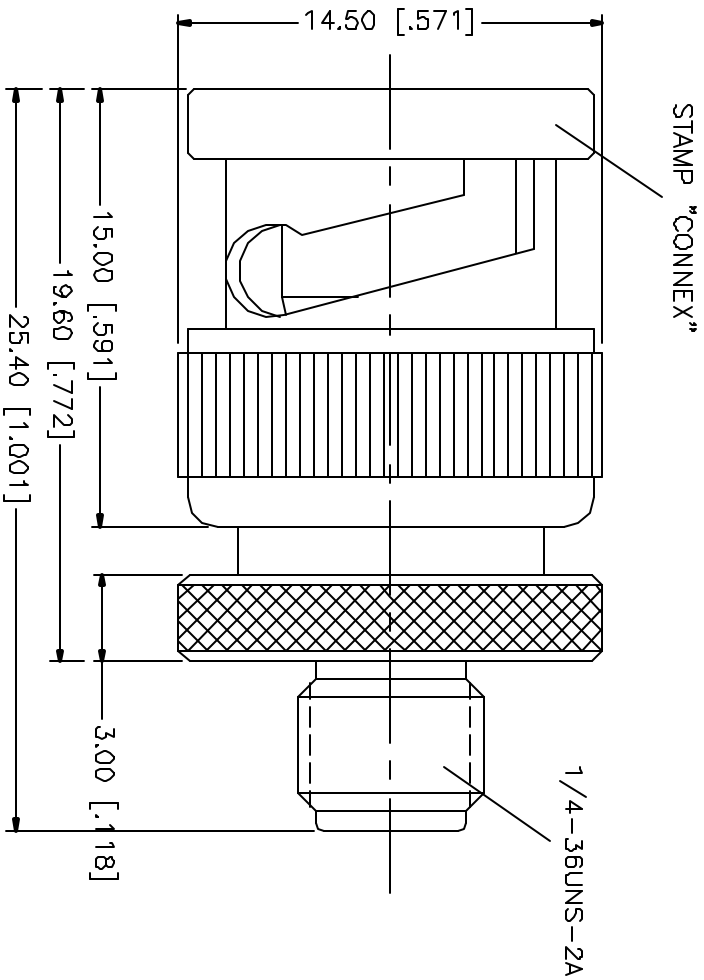


| REV. | DATE | DESCRIPTION |
|------|----------|---------------------------------|
| A | 02/22/01 | REVISE PLATING / UPDATE DRAWING |



| DESCRIPTION | MATERIAL | FINISH | UNLESS OTHERWISE SPECIFIED DIMENSIONS ARE IN MILLIMETERS DIMENSIONS IN [] ARE IN INCHES FOR CUSTOMER REFERENCE ONLY | APPROVALS | DATE | TITLE | SCALE | NA | PART NO. | SHEET | REV. | |
|----------------------|--------------|---------|---|-----------|----------|--|-------|----|----------|--------|------|--|
| 8 | | | UNLESS OTHERWISE SPECIFIED DIMENSIONS ARE IN MILLIMETERS DIMENSIONS IN [] ARE IN INCHES FOR CUSTOMER REFERENCE ONLY UNLESS OTHERWISE SPECIFIED TOLERANCES FOR MILLIMETERS ARE: 0.5-6 = ± 0.2 6-30 = ± 0.4 30-120 = ± 0.6 120-515 = ± 1 515-1000 = ± 1.6 1000-2000 = ± 2.4 | | | SMA FEMALE TO BNC MALE ADAPTOR | | | | | | |
| 7 | | | | DRAWN | | | | | | | | |
| 6 | | | | CHECKED | | | | | | | | |
| 5 | | | | ISSUED | | | | | | | | |
| 4 | | | | | | | | | | | | |
| 3 | PHOS. BRONZE | GOLD | | | | | | | | | | |
| 2 | TEFLON | NATURAL | | | | | | | | | | |
| 1 | BRASS | GOLD | | | | | | | | | | |
| DO NOT SCALE DRAWING | | | | | | | | | | | | |
| | | | | G.R.S. | 02/22/01 | | A | NA | 242103 | 1 OF 1 | A | |